

igar L-support legs

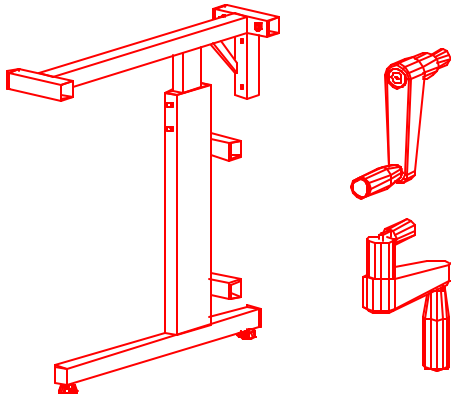


Fig. 1

Foldable Crank

Quick Facts:

- 15.75 adjustment stroke
- Adjusts from 28" to 43.75" in. (incl. 1.25" thick top)
- Foldable hand crank
- 500 lbs capacity
- Very easy to crank
- 12&14 gauge tubular steel
- Welded construction
- Tension adjustable roller bearings.
- Scratch resistant powder coating

LEG SUPPORTS

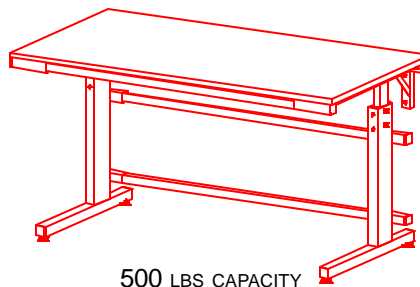
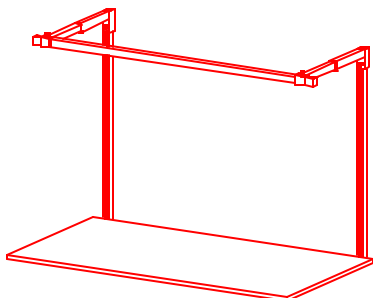
Hand Crank

L-SUPPORT LEGS

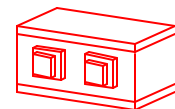
Max load capacity 500 Lbs

Item#	Description	Top dim. (Depth)	Fig.
9127400L	Hand Crank height adjustment from 28" to 43.5". 500 lbs load capacity One set includes 2 leg supports.	31.5 to 36"	1
9128400L	As above, for top 27.5 to 31" deep.	27.5 to 31"	1

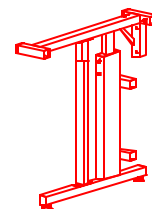
SUPPORT TRACK
FOR TOOL SUSPENSION AND LIGHTING



500 LBS CAPACITY
28 - 43.5 INCH HEIGHT ADJUSTMENT



OPTIONAL MOTORIZED
HEIGHT ADJUSTMENT



OPTIONAL 700/900 LBS
CAPACITY LEG SUPPORT