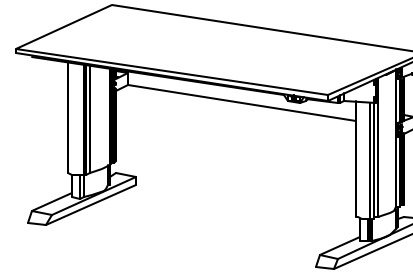


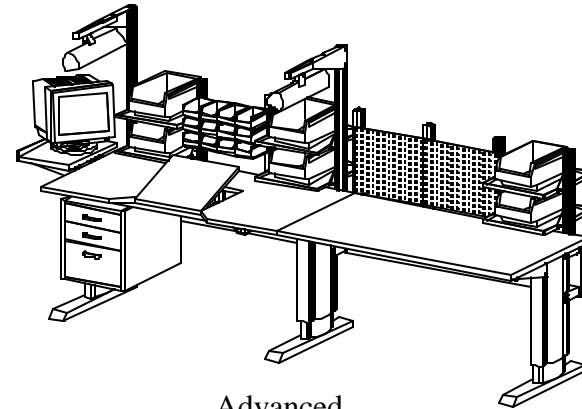


## WORK BENCH IDEAS FROM IGAR

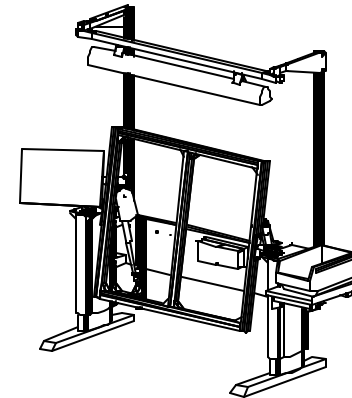
---



Basic



Advanced



Custom

Igar System, Inc.  
5821 Femrite Drive  
Madison WI 53718

Phone: 800-417-1123  
Fax: 608-223-0944  
E-mail: [igarinfo@igarsystem.com](mailto:igarinfo@igarsystem.com)  
<http://www.igarsystem.com>



## Welcome to Igar

Dear Professional:

PAST experience in work bench design (over 20 years), a proven quality product line, and valued customers such as IBM, Hewlett-Packard, General Motors, and Rocwell are all good reasons to consider Igar System.

However, just as you we don't look to the past but to the FUTURE. This is why we designed the E-600 motorized work bench with up to 20" adjustment stroke and a benchtop that can be adjusted down to as low as 16" above the floor.

Our light fixtures have flicker free light, dimmer switches and the new high-output linear T5 lamps. They offer true value and features that will significantly improve your workplace environment.

We're proud to introduce a new design that offers more flexibility, better features and increased functionality. We are looking forward to hearing from you and to show you how IGAR can be your long term partner in work bench solutions and design.

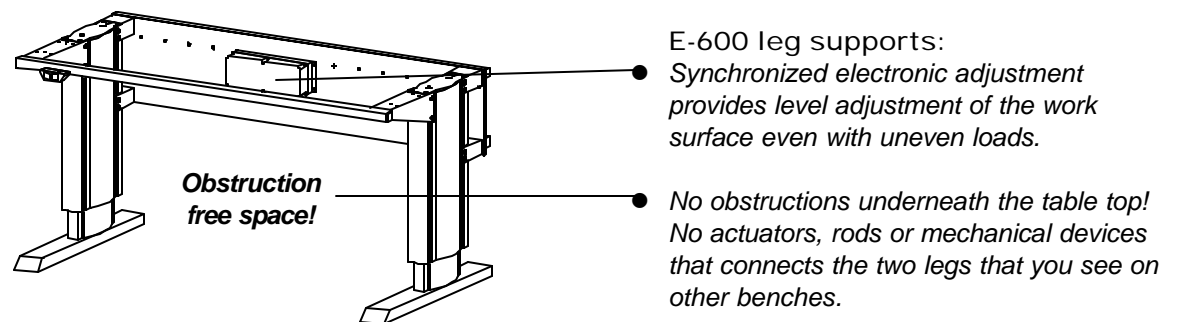
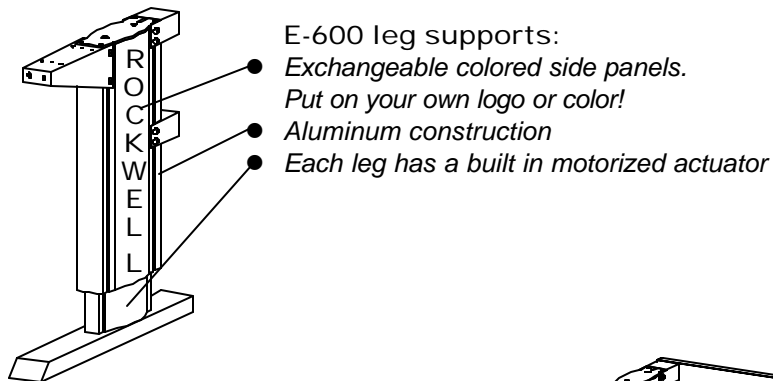
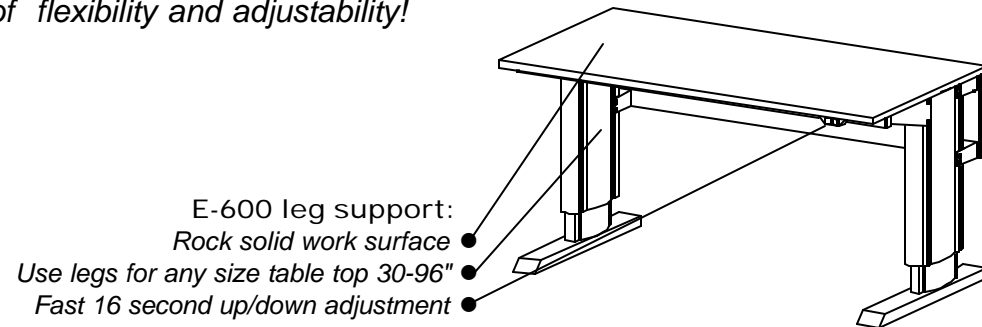
Give us a call @ 800.417.1123

**Igar System, Inc.**  
5821 Femrite Drive  
Madison WI 53718

Phone: 800-417-1123  
Fax: 608-223-0944  
E-mail: [igarinfo@igarsystem.com](mailto:igarinfo@igarsystem.com)  
<http://www.igarsystem.com>

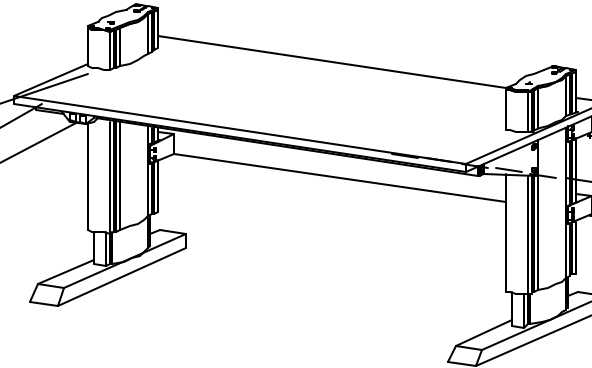
## Why E-600 leg supports?

The E-600 bench system is the "next generation" of modular ergonomic work benches for the professional working environment! The E-600 system is designed with the future in mind. A solid work platform with a new level of flexibility and adjustability! Check out these features:

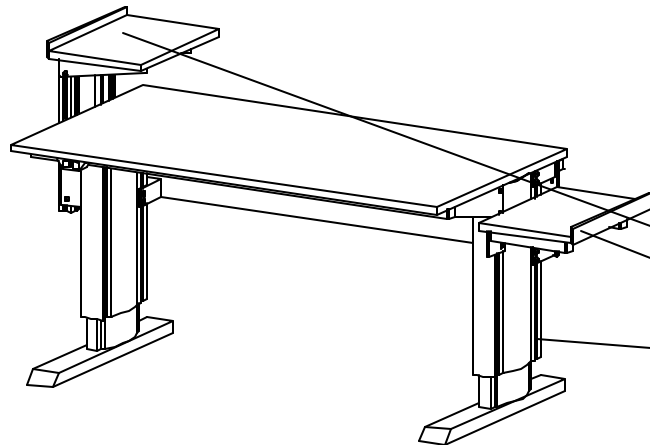


100% sit-stand capabilities:

1. Get an optional recessed bench top in any size ●
2. Manually lower the starting point of the top as low as 16" ●
3. Adjust top with motorized 16" or 20" stroke ●



Top can be as low as 16 in. above the floor!

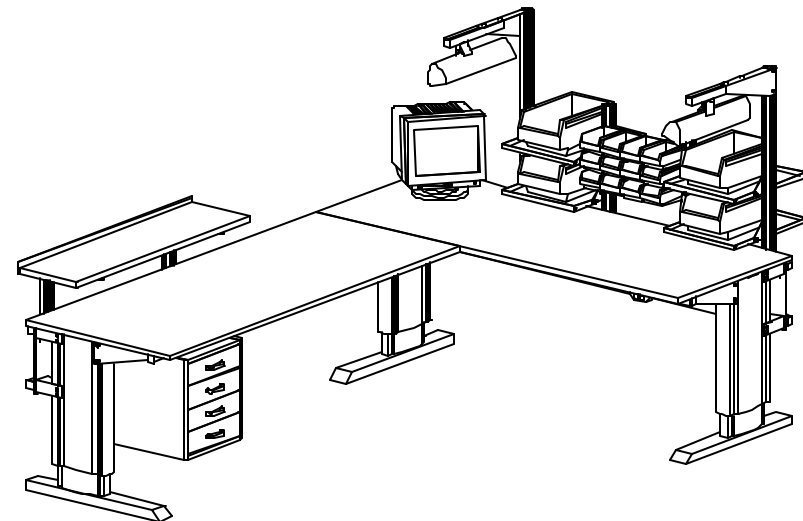


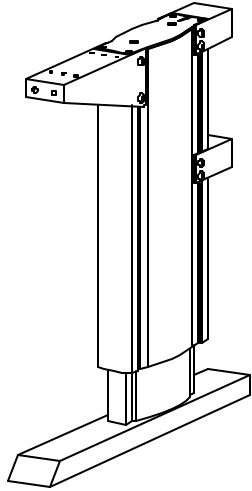
Mount accessories on leg supports!

- Height adjustable shelf for monitor or test equipment.
- Mount shelving and accessories on both the outside and the inside of the leg supports!
- Aluminum leg supports with slots makes the E-600 leg supports easy to customize.

Combine 3 or 4 legs with synchronized height adjustment

- Join 3 of 4 legs together to make U or L shaped benches ●
- Vertical posts mounts anywhere on the back support frame ●
- Wide range of ergonomic accessories and components available ●

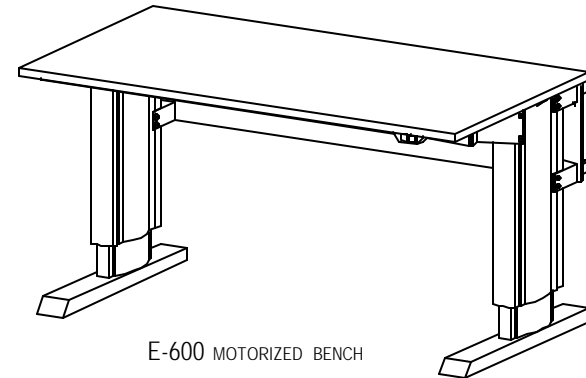




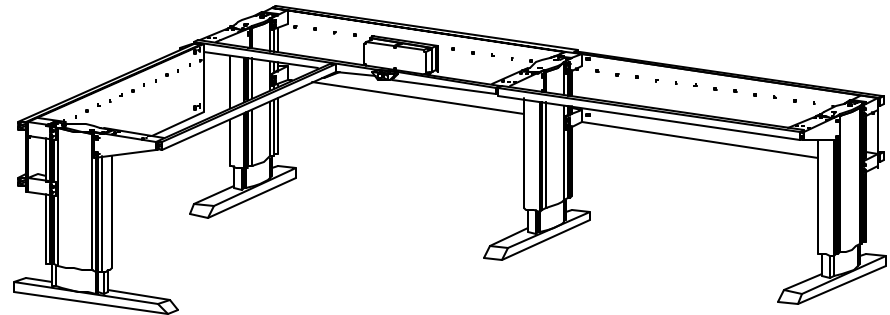
THE E-600 MOTORIZED  
LEG SUPPORT ARE  
INCREDIBLY STABLE!

**Facts:**

- 16" or 20" adjustment stroke
- Adjusts from 16" above floor + stroke
- 550 or 770 lbs capacity
- 16 second adjustment!
- Aluminum construction
- One built -in actuator per leg support
- Rock solid worksurface
- Slots for mounting accessories directly to the leg support itself!
- Connect up to four legs together and adjust the height simultaneously
- Use a set of leg support for any size table top from 30" to 144" wide



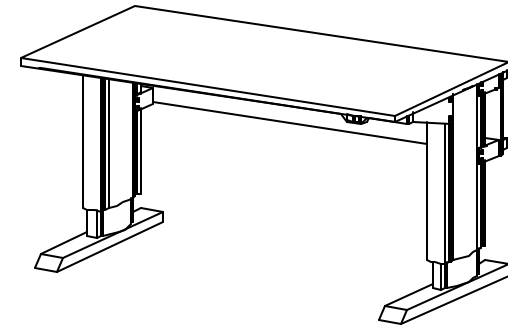
E-600 MOTORIZED BENCH



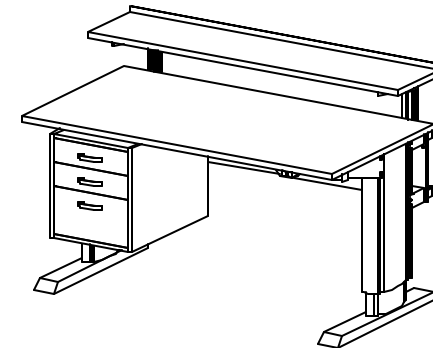
CONNECT UP TO 4 LEG SUPPORTS

**Basic Bench E1**

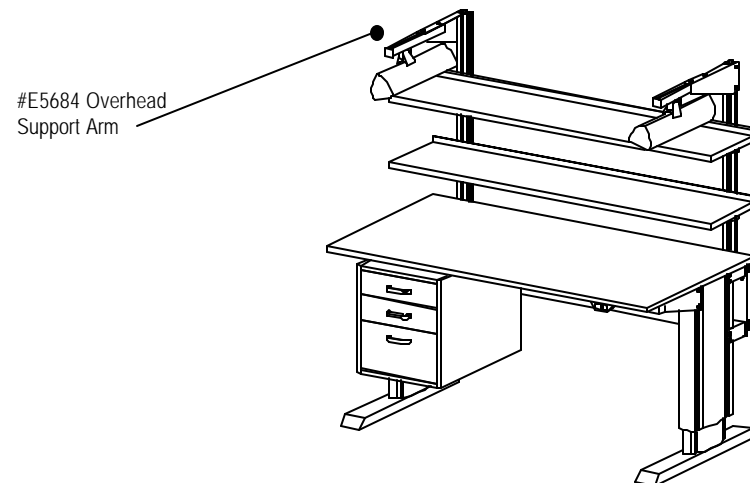
Item#	Description	Qty	UM
E55124070	Set of 2 legs, E-600	1	Set
EST150	Table top kit for 60" top	1	Ea.
T3060P	Table top, rounded front edge, beige, 30"x60"	1	Ea.


**Basic Bench E2**

Item#	Description	Qty	UM
E55124070	Set of 2 legs, E-600	1	Set
EST150	Table top kit for 60" top	1	Ea.
T3060	Table top, rounded front edge, beige, 30"x60"	1	Ea.
E56250	Quad-post uprights, L=10"	2	Ea.
E5640	Shelf bracket, for level laminate shelf	1	Pair
S1260K	Shelf, laminated, w. raised edge, 12x60"	1	Ea.
E5602	Drawer mounting brackets	1	Set
E1072BL	Drawer unit, 3 drawers, key lock.	1	Ea.

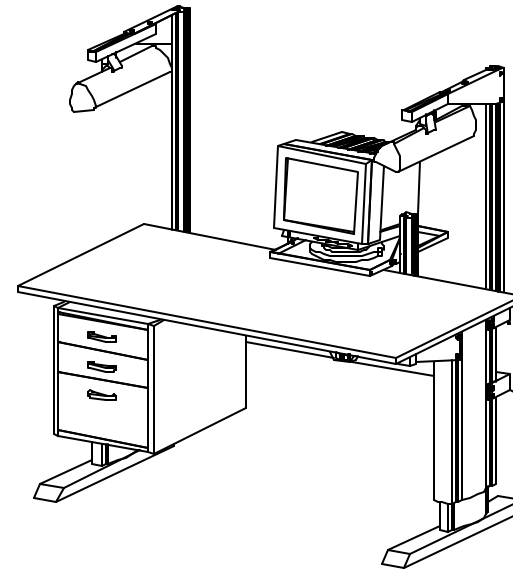

**Basic Bench E3**

Item#	Description	Qty	UM
E55124070	Set of 2 legs, E-600	1	Set
EST150	Table top kit for 60" top	1	Ea.
T3060	Table top, rounded front edge, beige, 30"x60"	1	Ea.
E561075	Quad-post uprights, L=42"	2	Ea.
E5640	Shelf bracket, for level laminate shelf	2	Pair
S1260K	Shelf, laminated, w. raised edge, 12x60"	2	Ea.
E5602	Drawer mounting brackets	1	Set
E1072BL	Drawer unit, 3 drawers, key lock.	1	Ea.
E5684	Overhead support arm	1	Pair
PA155	Light fixture: DUO, 1x55 watt T5 bulb	2	Ea.

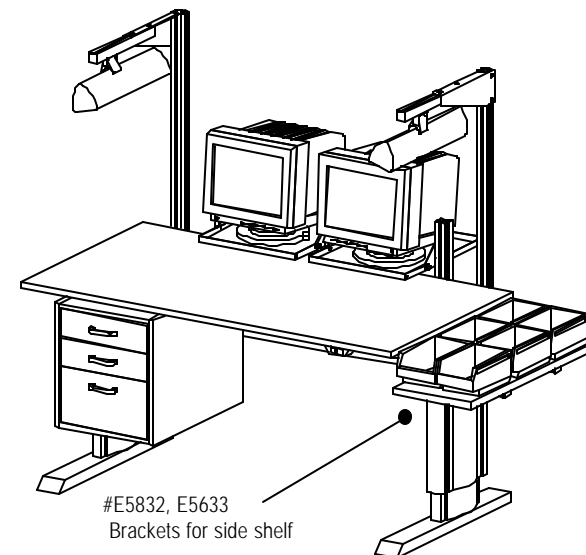


**Basic Bench E4**

Item#	Description	Qty	U/M
E55124070	Set of 2 legs, E-600	1	Set
EST150	Table top kit for 60" top	1	Ea.
T3060	Table top, rounded front edge, beige, 30"x60"	1	Ea.
E561075	Quad-post uprights, L=42"	2	Ea.
E5684	Overhead support arm	1	Pair
PA155	Light fixture: Parabol, 1x55 watt T5 bulb	2	Ea.
E56250	Quad-post uprights, L=10"	2	Ea.
E5617	Shelf, angle adjustable, 20"x15"	1	Ea.
E5602	Drawer mounting brackets	1	Set
E1072BL	Drawer unit, 3 drawers, key lock.	1	Ea.


**Basic Bench E5**

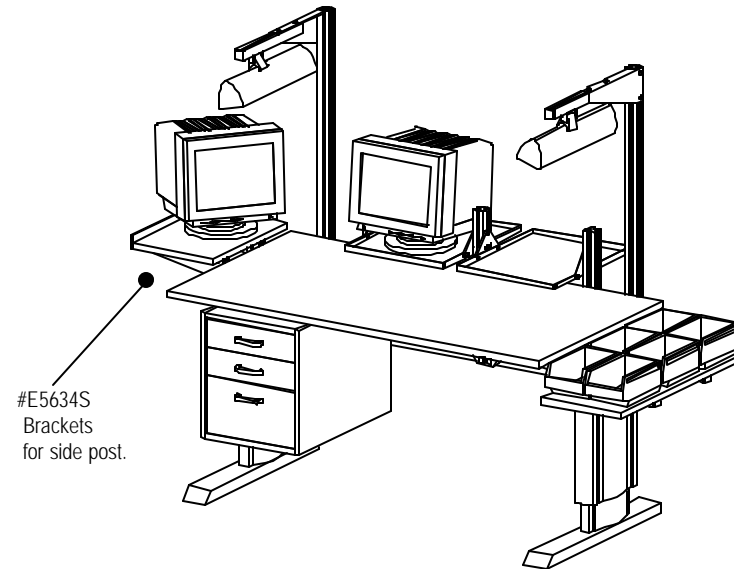
Item#	Description	Qty	U/M
E55124070	Set of 2 legs, E-600	1	Set
EST150	Table top kit for 60" top	1	Ea.
T3060	Table top, rounded front edge, beige, 30"x60"	1	Ea.
E561075	Quad-post uprights, L=42"	2	Ea.
E5684	Overhead support arm	1	Pair
PA155	Light fixture: Parabol, 1x55 watt T5 bulb	2	Ea.
E56250	Quad-post uprights, L=10"	2	Ea.
E5617	Shelf, angle adjustable, 20"x15"	2	Ea.
E5602	Drawer mounting brackets	1	Set
E1072BL	Drawer unit, 3 drawers, key lock.	1	Ea.
E5832	Brackets for side shelf on leg supports, Left	1	Ea.
E5833	Brackets for side shelf on leg supports, Right	1	Ea.
S1230K	Shelf, 12 x 30", w. raised side edge	1	Ea.



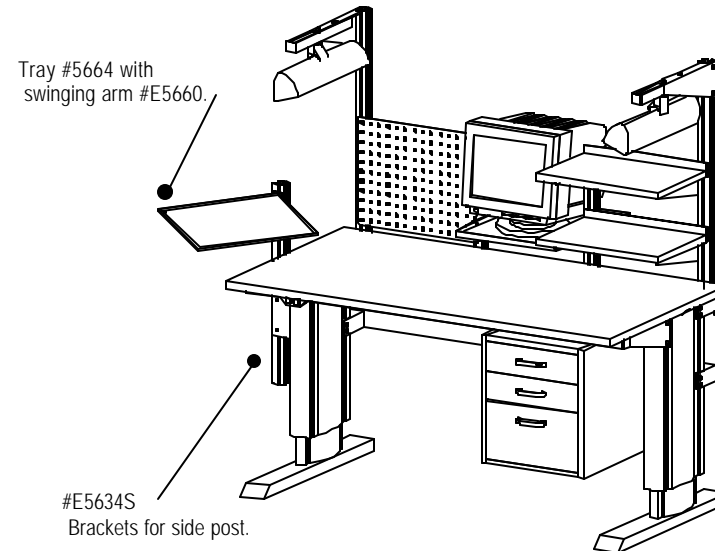
**Basic Bench E6**

Same configuration as Basic Bench E5 previously outlined but with the following accessories added:

Item#	Description	Qty	U/M
E5634S	Brackets for sidepost on leg supports	2	Ea.
E56250	Vertical "Quad-Post", Aluminum, L=10"	2	Ea.
E5640	Shelf bracket, for level laminate shelf	1	Pair
S1220K	Shelf (VDU), 12" x 20", w. raised edge	1	Ea.


**Basic Bench E7**

Item#	Description	Qty	U/M
E55124070	Set of 2 legs, E-600	1	Set
EST150	Table top kit for 60" top	1	Ea.
T3060	Table top, rounded front edge, beige, 30"x60"	1	Ea.
E561500	Quad-post uprights, L=60"	2	Ea.
E5684	Overhead support arm	1	Pair
PA155	Light fixture: Parabol, 1x55 watt T5 bulb	2	Ea.
E56750	Quad-post uprights, L=30"	2	Ea.
E5653	Tool board, 20" x 20"	1	Ea.
E5617	Shelf, angle adjustable, 20"x15"	1	Ea.
E5640	Shelf bracket, for level laminate shelf	2	Pair
S1230K	Shelf, 12" x 30", w. raised side edge	2	Ea.
E5602	Drawer mounting brackets	1	Set
E1072BL	Drawer unit, 3 drawers, key lock.	1	Ea.
E5634S	Brackets for post mounted on leg supports	1	Ea.
E56750	Quad-post uprights, L=30"	1	Ea.
E5660	Swinging arm, 3 pivot points, 16" long	1	Ea.

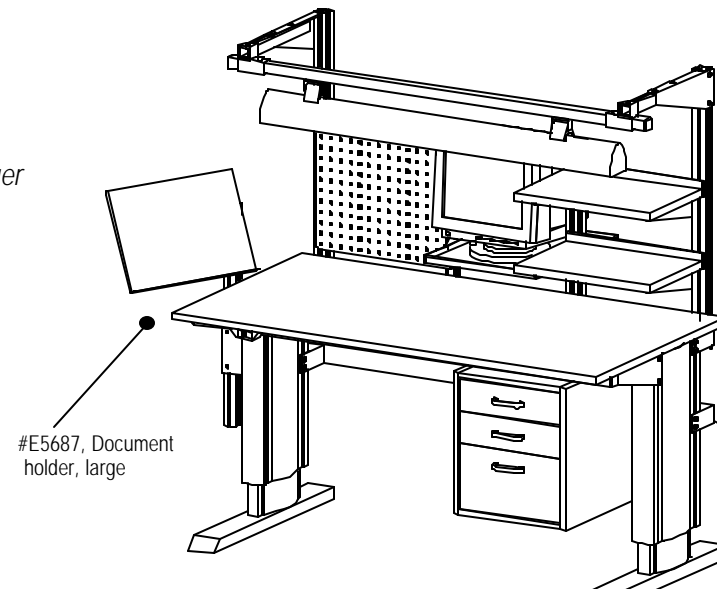




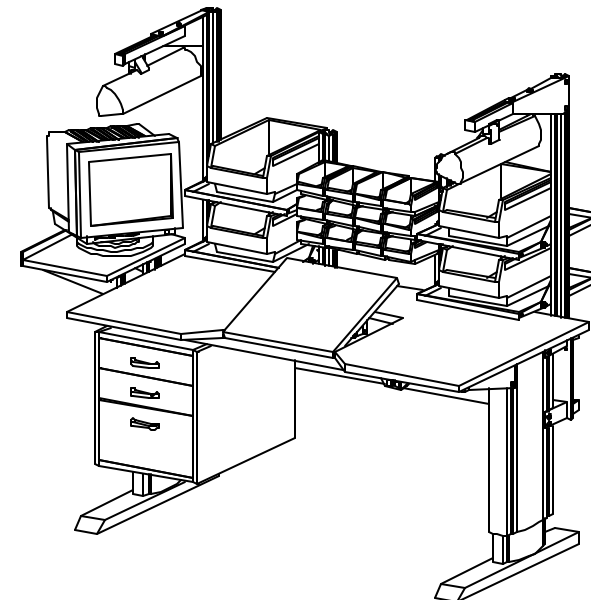
**Basic Bench E8**

Same configuration as Basic Bench E7 outlined on previous page but with a document holder mounted on the side post (instead of a tray) and with a lognger Parabol light fixture.

Item#	Description	Qty	U/M
E5687	Document holder, large 16 x 22	1	Ea.
E5609	Holding bracket for suspension track	2	Ea.
E56150	Overhead suspension track, L=60"	1	Ea.
PA154TD	Light fixture: Parabol, 1x542W, Dimmer Switch	1	Ea.

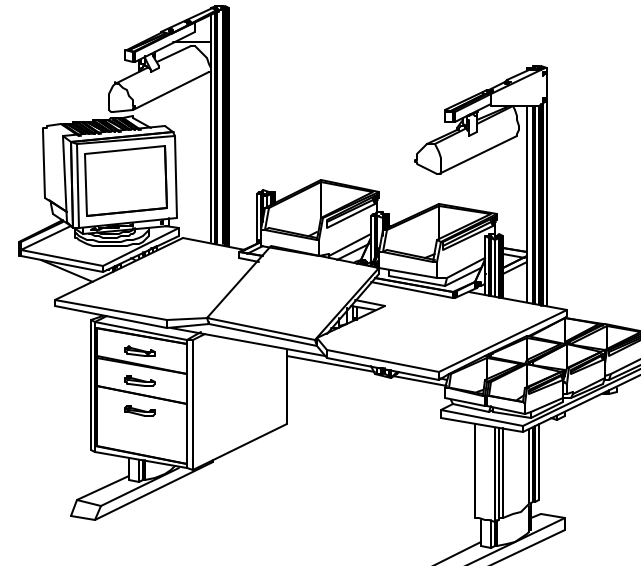

**Basic Bench E9**

Item#	Description	Qty	U/M
E55124070	Set of 2 legs, E-600	1	Set
EST150	Table top kit for 60" top	1	Ea.
T3060	Table top, rounded front edge, beige, 30"x60"	1	Ea.
E561500	Quad-post uprights, L=60"	2	Ea.
E5684	Overhead support arm	1	Pair
PA155	Light fixture: Parabol, 1x55 watt T5 bulb	2	Ea.
E56750	Quad-post uprights, L=30"	2	Ea.
E5617	Shelf, metal, angle adjustable, 20"x15"	4	Ea.
E5644	Track for plastic bins, L=20"	3	Ea.
E5602	Drawer mounting brackets	1	Set
E1072BL	Drawer unit, 3 drawers, key lock.	1	Ea.
E5634S	Brackets for post mounted on leg supports	1	Ea.
E56750	Quad-post uprights, L=30"	2	Ea.
E5640	Shelf bracket, for level laminate shelf	1	Pair
S1220K	Shelf (VDU), 12" x 20", w. raised edge	1	Ea.



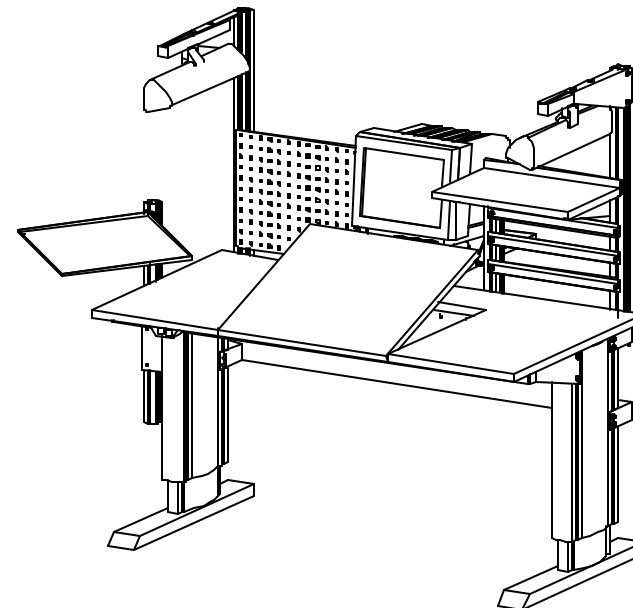
**Basic Bench E10**

As Basic Bench E9 but without the tool tracks in the mid-section and only two of the #5617 angle adjustable metal shelves. Side table on the right as bench E6.


**Basic Bench E11**

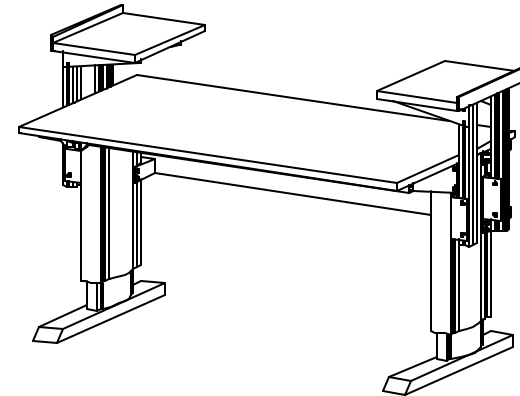
Item#	Description	Qty	UM
E55124070	Set of 2 legs, E-600	1	Set
EST150	Table top kit for 60" top	1	Ea.
CT****	Table top, beige, 32"x60", with tilt function	1	Ea.
E561500	Quad-post uprights, L=60	2	Ea.
E56750	Quad-post uprights, L=30	2	Ea.
E5653	Tool board, 20" x 20"	1	Ea.
E5617	Shelf, metal, angle adjustable, 20"x15"	1	Ea.
E5640	Shelf bracket, for level laminate shelf	1	Pair
S1230K	Shelf, laminated, w. raised edge, 12x30"	1	Ea.
E5644	Track for plastic bins, L=20"	3	Ea.
E5684	Overhead support arm	1	Pair
PA155	Light fixture: Parabol, 1x55 watt T5 bulb	2	Ea.

Side shelf on left side as bench E7.

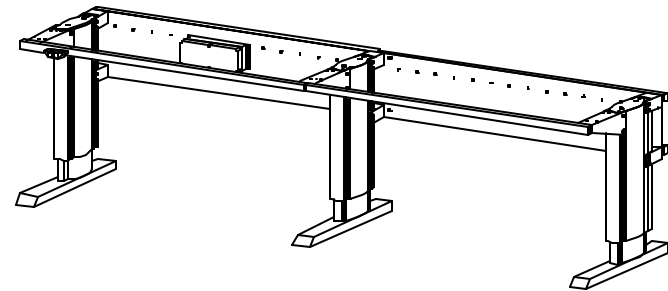


**Basic Bench E12**

Item#	Description	Qty	U/M
E55124070	Set of 2 legs, E-600	1	Set
EST150	Table top kit for 60" top	1	Ea.
T3060	Table top, rounded front edge, beige, 30"x60"	1	Ea.
E5634S	Brackets for post mounted on leg supports	4	Ea.
E56750	Quad-post uprights, L=30"	4	Ea.
E5640	Shelf bracket, for level laminate shelf	2	Pair
S1220K	Shelf (VDU), 12" x 20", w. raised edge	2	Ea

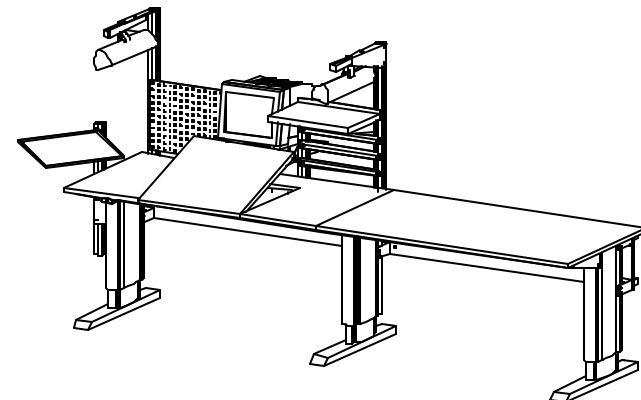

**Basic Bench E13**

Item#	Description	Qty	UM
E55134070	Set of 3 legs, E-600	1	Set
EST150	Table top kit for 60" top	2	Ea.


**Basic Bench E14**

Item#	Description	Qty	UM
E55134070	Set of 3 legs, E-600	1	Set
EST150	Table top kit for 60" top	2	Ea.
CT****	Table top, beige, 32"x60", with tilt function	1	Ea.
T3060	Table top, rounded front edge, beige, 30"x60"	1	Ea.
E561500	Quad-post uprights, L=60	2	Ea.
E56750	Quad-post uprights, L=30	2	Ea.
E5653	Tool board, 20" x 20"	1	Ea.
E5617	Shelf, metal, angle adjustable, 20"x15"	1	Ea.
E5640	Shelf bracket, for level laminate shelf	1	Pair
S1230K	Shelf, laminated, w. raised edge, 12x30"	1	Ea.
E5644	Track for plastic bins, L=20"	3	Ea.
E5684	Overhead support arm	1	Pair
PA155	Light fixture: Parabol, 1x55 watt T5 bulb	2	Ea.

Side shelf on left side as bench E7.

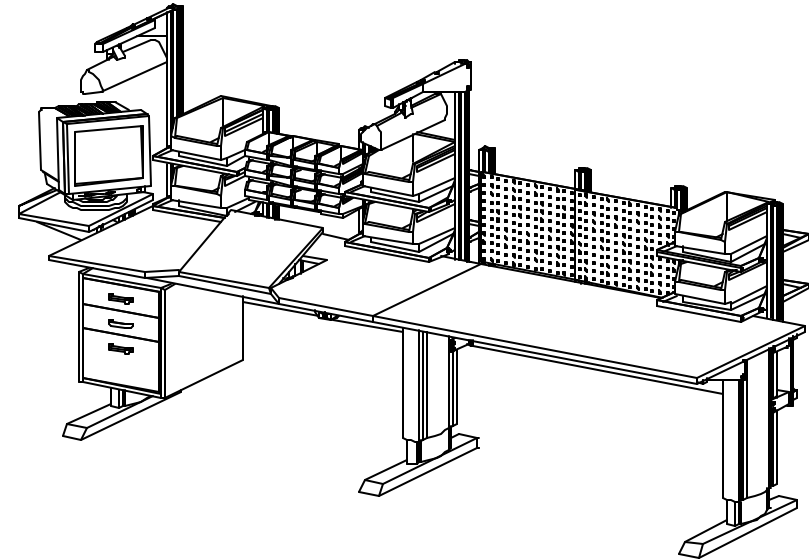


**Basic Bench E15**

Item#	Description	Qty	U/M
E55134070	Set of 3 legs, E-600	1	Set
EST150	Table top kit for 60" top	2	Ea.
CT****	Table top, beige, 32"x60", with tilt function	1	Ea.
T3060P	Table top, rounded front edge, beige, 30"x60"	1	Ea.

All accessories on the left side of the bench are the same as bench E9.  
The right side of bench configured as outlined below:

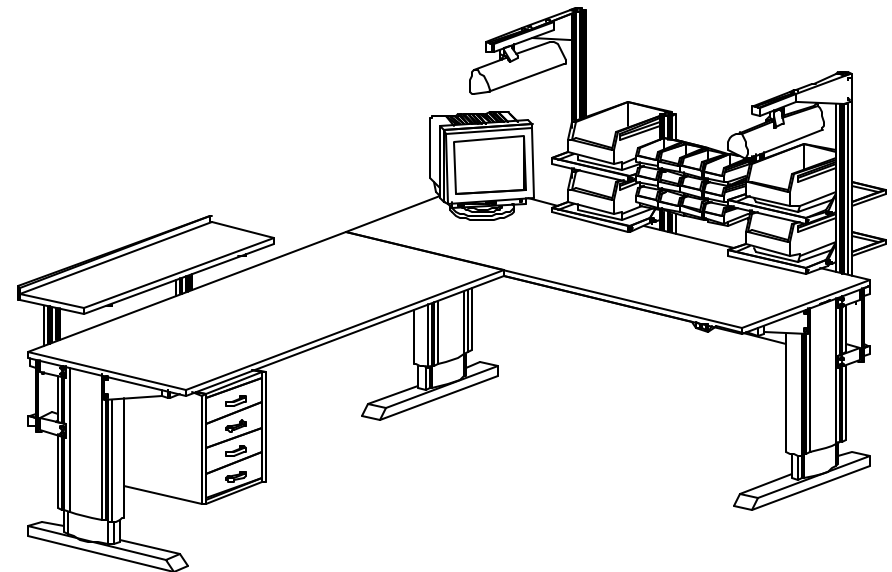
E56750	Quad-post uprights, L=30"	4	Ea.
E5653	Tool board, 20" x 20"	2	Ea.
E5617	Shelf, metal, angle adjustable, 20"x15"	2	Ea.


**Basic Bench E16**

Item#	Description	Qty	U/M
E55134070	Set of 3 legs, E-600	1	Set
EST150	Table top kit for 60" top	2	Ea.
T3060P	Table top, rounded front edge, beige, 30"x60"	1	Ea.
T3072P	Table top, rounded front edge, beige, 30"x72"	1	Ea.

All accessories on the right side of the bench are the same as bench E9 on page 10 (except no monitor shelf). The left side of the bench configured as outlined below:

E56750	Quad-post uprights, L=30"	2	Ea.
E5640	Shelf bracket, for level laminate shelf	1	Pair
S1248K	Shelf, laminated, w. raised edge, 12x48	1	Ea.
E5602	Drawer mounting brackets	1	Set
E1072AL	Drawer unit, 3 drawers, key lock.	1	Ea.



### High output lighting system

- Wide range of standard light fixtures
- Electronic no flicker & instant on features
- Parabolix "no glare" directional louvers
- Aluminum extruded casing

### Quad-Post uprights

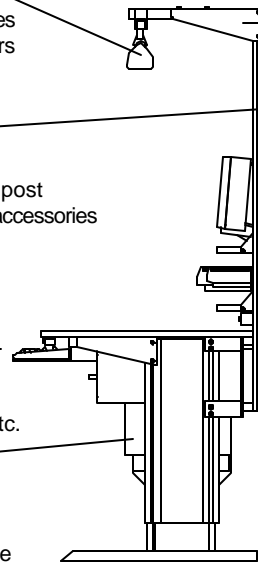
- Aluminum extruded
- Mount accessories on all 4 sides of post
- Makes it easy to mount "after market" accessories
- Makes customizing a breeze!

### Keyboard holders

- With padded wrist rests
- With slide out mouse trays
- "Ergo" keyboards with tilt, swivel, etc.

### CPU Holder

- Shelving for CPU:s or other equipment
- Shelves mount directly to leg supports!
- Shelving is easy to change & customize



### Support Arm for overhead tracks

- Easy to adjust up and down on post
- Depth adjustable
- Very, very stable

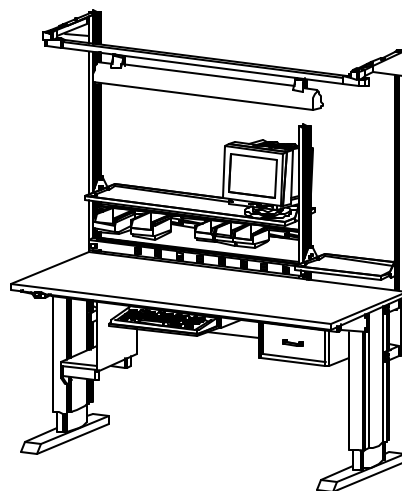
### More options for monitors...

- Shelving that is easy to adjust
- "Zero-gravity" monitor arms
- Standard "heavy duty" monitor arms

### Metal shelving

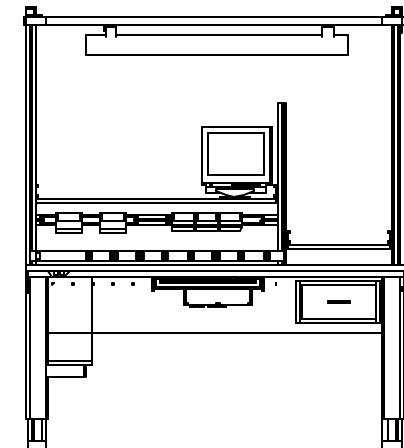
- Depth adjustable shelving for the "perfect" reach
- Angle Adjustable
- Many different depths and widths

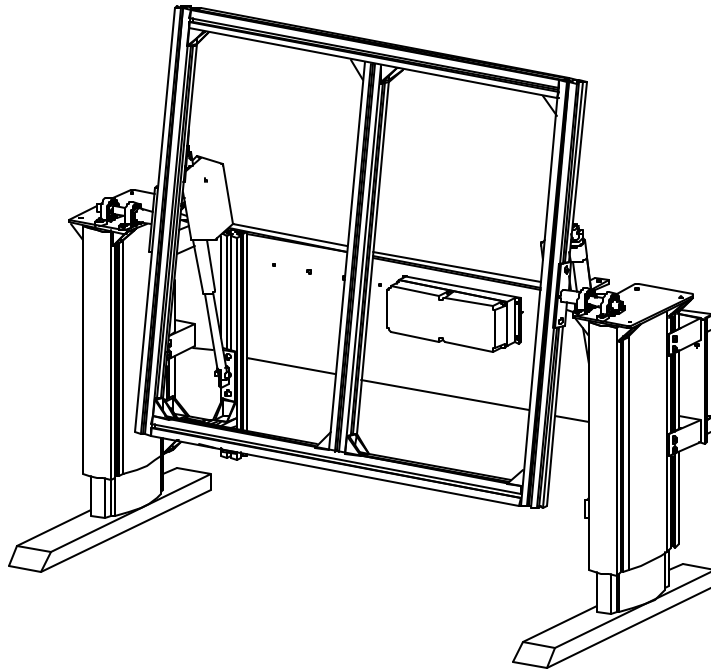
Side View



## Basic Bench E13

Item#	Description	Qty	UM
E55124070	Set of 2 legs, E-600	1	Set
EST180	Table top kit for 72" top	1	Ea.
T2872P	Table top, beige, 28"x72"	1	Ea.
E561500	Quad-post uprights, L=60	2	Ea.
E56750	Quad-post uprights, L=30	1	Ea.
E5620	Shelf, metal, angle adjustable, 12D x 32W	1	Ea.
E5617	Shelf, metal, angle adjustable, 19.5D x 15W	1	Ea.
EL0848	8-pug outlet center, 48" wide	1	Ea.
QP812	Track for mounting plastic bins (custom length)	1	Ea.
E5644	Track for plastic bins, L=20"	2	Ea.
E5684	Overhead support arm	1	Pr
E56180B	Support track for overhead suspension	1	Ea.
PA154TD	Light fixture: Parabol, 1x54 watt, Dimmer	1	Ea.
E4054	Keyboard shelf	1	Ea.
E5832	Brackets for side shelf on leg supports, Left	1	Ea.
E5833	Brackets for side shelf on leg supports, Right	1	Ea.
S1220K	Shelf, laminated, 13" Deep x 10" Wide	1	Ea.
1075L	Drawer unit, beige, key lock,	1	Ea.





The E-600 Leg supports are easy to customize and re-configure for different applications.

On this page you see the E-600 leg supports used in an application for wire harness assembly.

This workstation is height adjustable with a motorized angle adjustment of the work surface.

The E-600 system is easy and inexpensive to customize with respect to the dimensions of the work surface, degree of tilt, etc.

A wide range of standard in stock components such as shelving, support arms, lighting, etc. are also available.

Whenever your application requires something other than Igar's in stock standard accessories the bench can be equipped with customized components from Igar or other "after market" accessories.

